

4MP IP IR MINI VANDAL PROOF DOME WDR CAMERA

Model #: IPC-DFR4MP



Features

- 4.0 Megapixel High Resolution
- HD Video Output
- H.264+ Ready, H.264. MJPEG
- 120 dB True WDR
- 3D DNR, BLC
- IR Range: Up to 100 ft
- Dual Video Streams
- IP66 Rating
- Metal housing & Bracket
- True Day/Night

Technical Specifications

Model No.	IPC-DFR4MP
Camera	
Image sensor	1/3" progressive scan CMOS
Min. illumination	0.01 lux @F1.2, AGC ON, 0 lux with IR
Shutter time	1/3s ~ 1/10,000s
Lens	2.8mm@F2.0, angle of view: 92.2°
Lens mount	M12
Day & night	IR cut filter with auto switch
Digital noise reduction	3D DNR
Wide dynamic range	120dB True WDR
Compression Standard	
Video compression	H.264 / MJPEG / H.264+
H.264 codec profile	Main profile
Bit rate	32 Kbps ~ 16 Mbps
Dual streams	Support
Image	
Max. Image Resolution	2688x1520 4MP
Frame rate	60Hz: 30fps (2688 x 1520), 30fps (1920 x 1080), 30fps (1280 x 720)
Image settings	Rotate Mode, Saturation, Brightness, Contrast Sharpness adjustable by client software or web browse
BLC	Yes, zone configurable
ROI Codec	Support
Network	
Network storage	NAS (Support NFS,SMB/CIFS), ANR
Alarm trigger	Motion detection, tampering alarm, network disconnect, IP address conflict, storage exception
Protocols	TCP/IP, UDP, ICMP, HTTP, HTTPS, FTP, DHCP, DNS, DDNS, RTP, RTSP, RTCP,PPPoE, NTP, UPnP, SMTP, SNMP, IGMP, 802.1X, QoS, IPv6
Interoperability	ONVIF (PROFILE S, PROFILE G), PSIA, CGI, ISAPI
Security	User Authentication, watermark
Interface	
Communication interface	1 RJ45 10 M / 100 M Ethernet interface
Web Browser	IE 7, IE 8, IE 9, Chrome 8 +, Firefox 3.5 +, Safari 5 +
General	
Operating conditions	(-22°F ~ 140 °F) humidity 95% or less (non-condensing)
Power supply	12 VDC ± 10% , PoE (802.3af)
Power consumption	Max. 5W (Max 7W with IR cut filter on)
Weather proof rating	IP66
IR range	Up to 100 ft
Dimension	4.4" x 3.2"
Weight	1.1 lbs

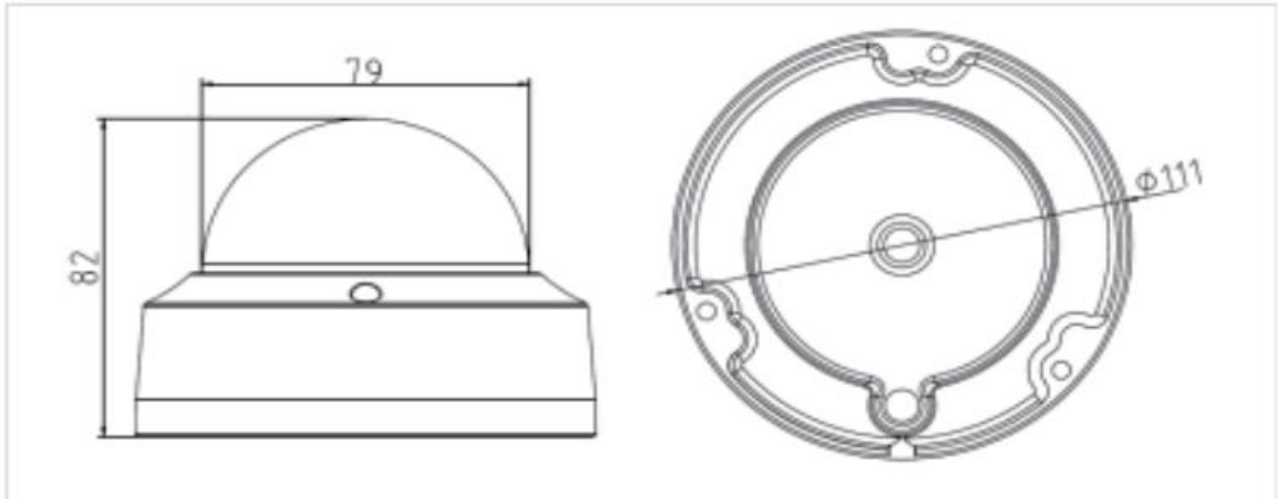
We reserve the right to modify product design and specification without notice and without incurring any obligation

For more information please contact a DSS Sales Representative

Toll Free: 1.888.467.8812 · Fax: 1.609.431.0932 · Email: sales@dss-cctv.com

www.dss-cctv.com

Dimensions



Unit: mm

We reserve the right to modify product design and specification without notice and without incurring any obligation

For more information please contact a DSS Sales Representative

Toll Free: 1.888.467.8812 · Fax: 1.609.431.0932 · Email: sales@dss-cctv.com

www.dss-cctv.com