

Model #: DVRT-1080PWN

Full HD
1920x1080



Features:

- 1/2.7" Progressive Scan CMOS
- HD1080P Video Output
- 4 in 1, HD-TVI, CVI, AHD, Analog
- 3D DNR, Smart IR
- 2.8-12 mm Vari-Focal Lens
- 32 Built in IR LEDs, (120 Ft. Night Vision)
- Vandal Resistant IP66 Weatherproof
- True Day/Night
- 3 Years Warranty

We reserve the right to modify product design and specification without notice and without incurring any obligation

For more information please contact a DSS Sales Representative

Toll Free: 1.888.467.8812 · Fax: 1.609.431.0932 · Email: sales@dss-cctv.com
www.dss-cctv.com

Technical Specifications

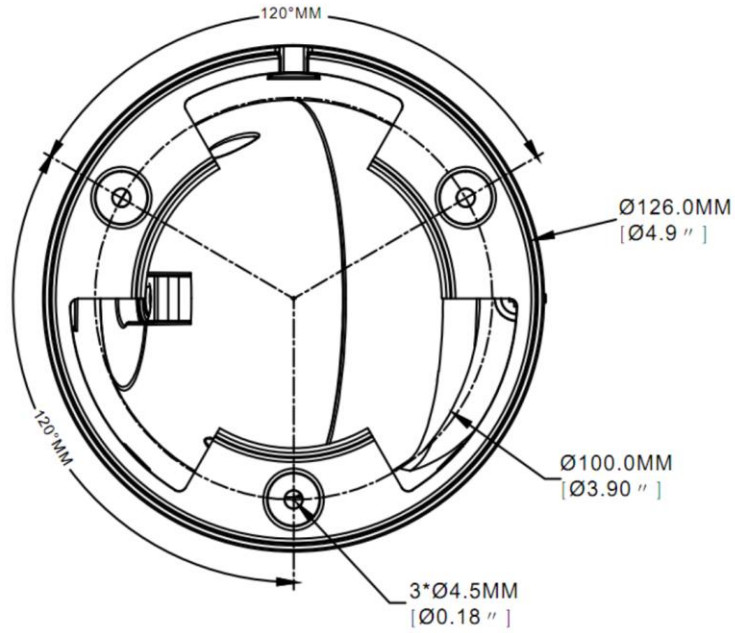
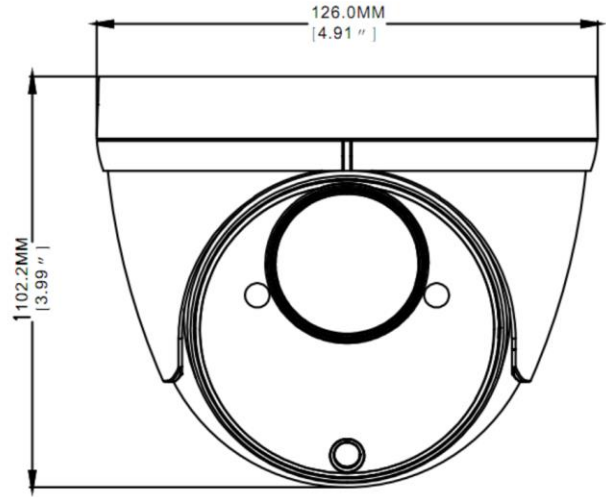
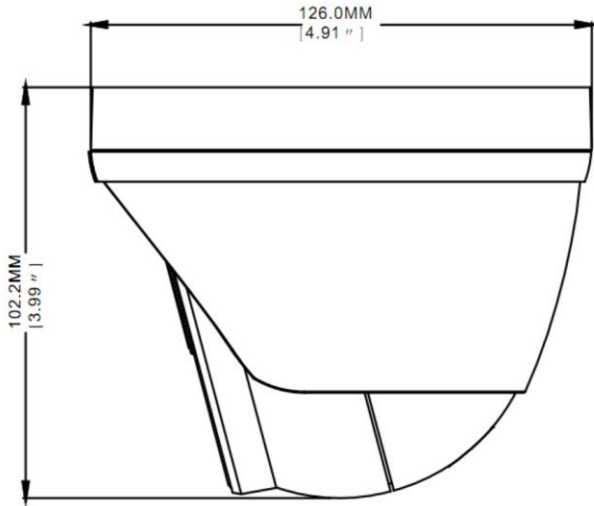
Model No.	DVRT-1080PWN
Camera	
Image sensor	1/2.7" Progressive Scan CMOS
Min. illumination	0.01 Lux @ (F1.2,AGC ON),0 Lux with IR /0.014 Lux @ (F1.4,AGC ON),0 Lux with IR
Shutter time	1 / 25 s to 1 / 50,000 s
Lens	2.8-12mm Angle of View: 90.9° - 32 °
Lens mount	M12
Day & night	ICR
Digital noise reduction	3D DNR
Wide dynamic range	DWDR
Synchronization	Internal synchronization
HD Video Output	1 Analog HD output 4 in 1, HD-TVI, CVI, AHD, Analog
CVBS Output	N/A
S/N Ratio	More than 52dB
Image	
Max. Image Resolution	1920(H)*1080(V)
Signal System	NTSC
Frame rate	1080p@30fps
Image settings	Saturation, brightness, contrast, sharpness adjustable through client software or web browser
BLC	Supported
General	
Operating conditions	(-22°F ~ 140 °F) humidity 90% or less (non-condensing)
Power supply	12 VDC
Power consumption	Max. 4W
Weather proof rating	IP66
IR range	Up to 120 ft
Dimension	4.69" × 3.94"
Weight	1.54 Lbs

We reserve the right to modify product design and specification without notice and without incurring any obligation

For more information please contact a DSS Sales Representative

Toll Free: 1.888.467.8812 · Fax: 1.609.431.0932 · Email: sales@dss-cctv.com

www.dss-cctv.com



We reserve the right to modify product design and specification without notice and without incurring any obligation

For more information please contact a DSS Sales Representative
Toll Free: 1.888.467.8812 · Fax: 1.609.431.0932 · Email: sales@dss-cctv.com
www.dss-cctv.com